



**16 Digital Outputs**  
**HE550DQM601 / HE559DQM601**  
**24VDC Out, Negative Logic**  
**HE559DQM606**  
**24VDC Out, Positive Logic**

*SmartStix*

For electronic information, see [www.HornerOCS.com](http://www.HornerOCS.com). Programming information is contained in the Control Station Hardware Manual (MAN0227).

HE550 denotes a non-removable terminal strip; HE559 denotes a removable terminal strip.

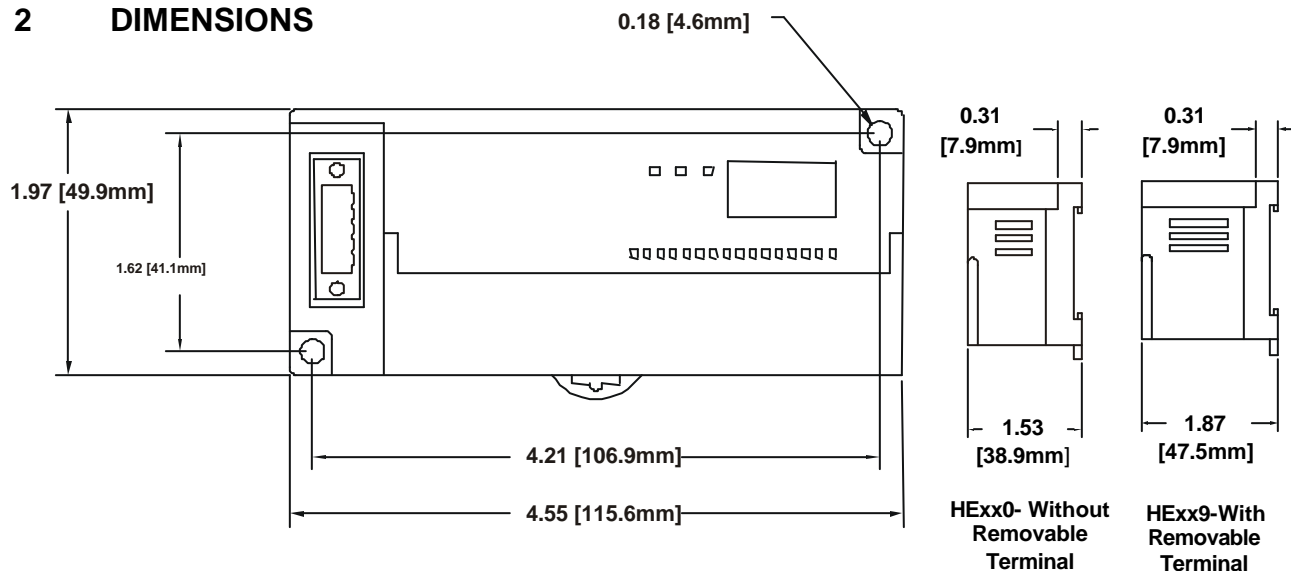
## 1 SPECIFICATIONS

DQM601 / DQM606 Outputs					
Number of output points		16	External Power Supply	Voltage	24VDC $\pm$ 10%(ripple voltage: 4Vp-p or less)
Commons per Module		1		Current	30mA (TYP, All points ON)
Operating Voltage		24VDC	OFF to ON Response		2ms.
Rated Load Voltage		24VDC	ON to OFF Response		2ms.
Max. Load Current per channel	DQM 601	0.1A Max. per output 2A per common	Output Type	DQM 601	Sinking
	DQM 606	0.5A Max. per output 3A per common		DQM 606	Sourcing
OFF Leakage Current		0.1mA or less	Common Method		16 points / COM
Max. Inrush Current per channel	DQM 601	0.4A, 10ms.	Operating Indicator		LED turns on during ON state of output
	DQM 606	1A, 10ms	External connections		Terminal block connector (M3 x 6 screws)
Maximum Voltage Drop during ON circuit		1.5VDC(0.5A)	Isolation methods		Photo Coupler
Internal power Consumption (mA)		280	Weight	DQM601	5.7 oz. (161g)
				DQM606	6.7 oz. (191g)

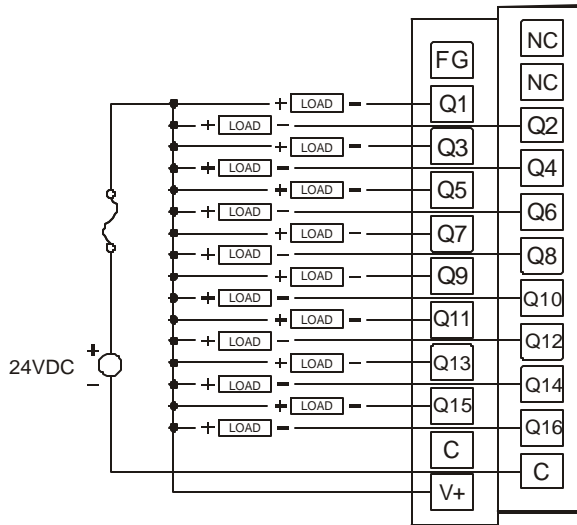
MAN0513-03

Vibration				
Occasional Vibration				
Frequency	Acceleration	Amplitude	Sweep Count	
10 ≤ f < 57 Hz	-	0.075 mm	10 times in each direction for X,Y,Z	
57 ≤ f ≤ 150 Hz	9.8 m/s <sup>2</sup> {1G}	-		
Continuous Vibration				
Frequency	Acceleration	Amplitude	Sweep Count	
10 ≤ f < 57 Hz	-	0.035 mm	10 times in each direction for X,Y,Z	
57 ≤ f ≤ 150 Hz	4.9 m/s <sup>2</sup> {0.5G}	-		
Shocks				
Maximum shock acceleration		147 m/s <sup>2</sup> {15G}		
Duration Time		11 ms.		
Pulse Wave		Half sine wave pulse (3 times in each of X, Y, Z directions)		
Noise Immunity				
Square wave impulse noise		AC: ± 1,500VDC DC: ± 900VDC		
Electrostatic Discharge		Voltage: 4kV (contact discharge)		
Radiated electromagnetic field		27 – 500MHz, 10V/m		
Fast Transient Burst Noise	Severity level	All power modules	Digital I/Os (Ue ≥ 24V)	Digital I/Os (Ue < 24 V) Analog I/Os Communication I/Os
	Voltage	2 kV	1 kV	0.25 kV

2 DIMENSIONS

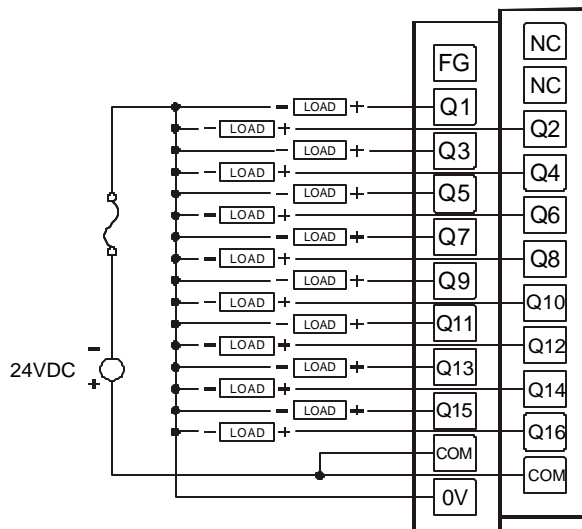


### 3 WIRING



006DQM007

Pin	Signal
	DQM601
NC*	No Connection (*Do not Connect)
FG	Frame Ground
NC*	No Connection (*Do not Connect)
Q1	Output 1
Q2	Output 2
Q3	Output 3
Q4	Output 4
Q5	Output 5
Q6	Output 6
Q7	Output 7
Q8	Output 8
Q9	Output 9
Q10	Output 10
Q11	Output 11
Q12	Output 12
Q13	Output 13
Q14	Output 14
Q15	Output 15
Q16	Output 16
C	Isolated Common
C	Isolated Common
V+	Isolator Power

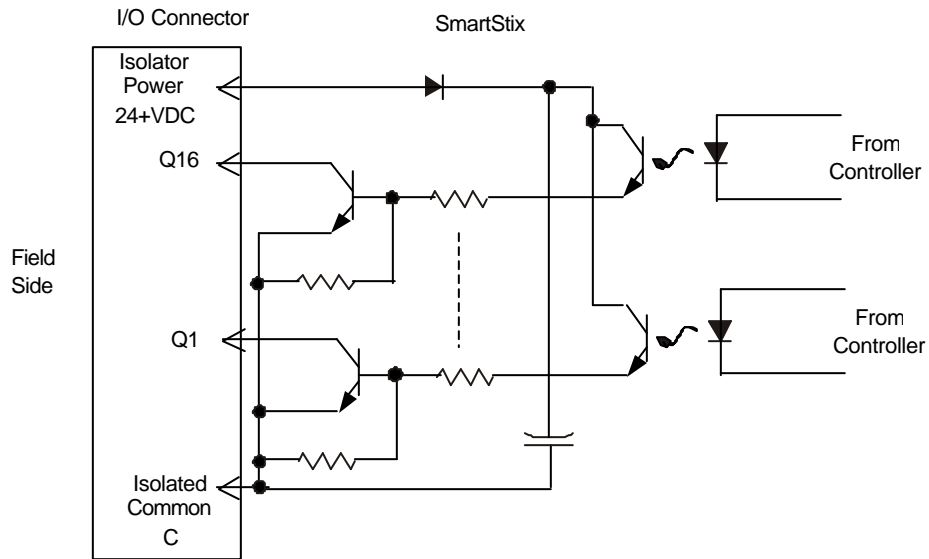


006DQM007

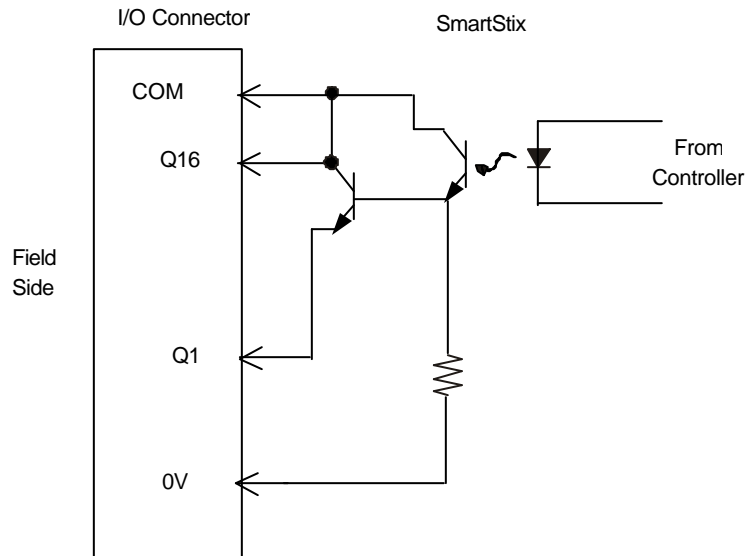
Pin	Signal
	DQM606
NC*	No Connection (*Do not Connect)
FG	Frame Ground
NC*	No Connection (*Do not Connect)
Q1	Output 1
Q2	Output 2
Q3	Output 3
Q4	Output 4
Q5	Output 5
Q6	Output 6
Q7	Output 7
Q8	Output 8
Q9	Output 9
Q10	Output 10
Q11	Output 11
Q12	Output 12
Q13	Output 13
Q14	Output 14
Q15	Output 15
Q16	Output 16
COM	Isolated Common
COM	Isolated Common
0V	Isolated Power Negative

## 4 INTERNAL WIRING

### a. DQM601



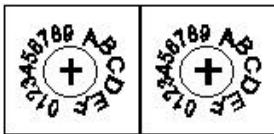
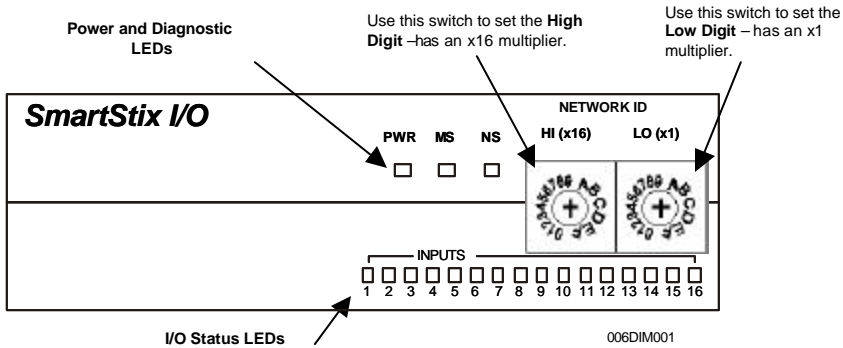
### b. DQM606



## 5 SWITCHES

CsCAN Network IDs are set using the hexadecimal number system from 01 to FD. The decimal equivalent is 1-253. Refer to the following table, which shows the decimal equivalent of hexadecimal numbers. Set a unique Network ID by inserting a small Phillips screwdriver into the two *identical* switches.

**Note:** The CsCAN Baud Rate for SmartStix I/O is fixed at 125KBaud



Close-up of Switches

Decimal (Dec) to Hexadecimal (Hex) Conversion																
Dec	Hex		Dec	Hex		Dec	Hex		Dec	Hex	Dec	Hex		Dec	Hex	
	HI	LO		HI	LO		HI	LO				HI	LO		HI	LO
			54	3	6	108	6	C	162	A	2	216	D	8		
1	0	1	55	3	7	109	6	D	163	A	3	217	D	9		
2	0	2	56	3	8	110	6	E	164	A	4	218	D	A		
3	0	3	57	3	9	111	6	F	165	A	5	219	D	B		
4	0	4	58	3	A	112	7	0	166	A	6	220	D	C		
5	0	5	59	3	B	113	7	1	167	A	7	221	D	D		
6	0	6	60	3	C	114	7	2	168	A	8	222	D	E		
7	0	7	61	3	D	115	7	3	169	A	9	223	D	F		
8	0	8	62	3	E	116	7	4	170	A	A	224	E	0		
9	0	9	63	3	F	117	7	5	171	A	B	225	E	1		
10	0	A	64	4	0	118	7	6	172	A	C	226	E	2		
11	0	B	65	4	1	119	7	7	173	A	D	227	E	3		
12	0	C	66	4	2	120	7	8	174	A	E	228	E	4		
13	0	D	67	4	3	121	7	9	175	A	F	229	E	5		
14	0	E	68	4	4	122	7	A	176	B	0	230	E	6		
15	0	F	69	4	5	123	7	B	177	B	1	231	E	7		
16	1	0	70	4	6	124	7	C	178	B	2	232	E	8		
17	1	1	71	4	7	125	7	D	179	B	3	233	E	9		
18	1	2	72	4	8	126	7	E	180	B	4	234	E	A		
19	1	3	73	4	9	127	7	F	181	B	5	235	E	B		
20	1	4	74	4	A	128	8	0	182	B	6	236	E	C		
21	1	5	75	4	B	129	8	1	183	B	7	237	E	D		
22	1	6	76	4	C	130	8	2	184	B	8	238	E	E		
23	1	7	77	4	D	131	8	3	185	B	9	239	E	F		
24	1	8	78	4	E	132	8	4	186	B	A	240	F	0		
25	1	9	79	4	F	133	8	5	187	B	B	241	F	1		
26	1	A	80	5	0	134	8	6	188	B	C	242	F	2		
27	1	B	81	5	1	135	8	7	189	B	D	243	F	3		
28	1	C	82	5	2	136	8	8	190	B	E	244	F	4		
29	1	D	83	5	3	137	8	9	191	B	F	245	F	5		
30	1	E	84	5	4	138	8	A	192	C	0	246	F	6		
31	1	F	85	5	5	139	8	B	193	C	1	247	F	7		
32	2	0	86	5	6	140	8	C	194	C	2	248	F	8		
33	2	1	87	5	7	141	8	D	195	C	3	249	F	9		
34	2	2	88	5	8	142	8	E	196	C	4	250	F	A		
35	2	3	89	5	9	143	8	F	197	C	5	251	F	B		
36	2	4	90	5	A	144	9	0	198	C	6	252	F	C		
37	2	5	91	5	B	145	9	1	199	C	7	253	F	D		
38	2	6	92	5	C	146	9	2	200	C	8					
39	2	7	93	5	D	147	9	3	201	C	9					
40	2	8	94	5	E	148	9	4	202	C	A					
41	2	9	95	5	F	149	9	5	203	C	B					
42	2	A	96	6	0	150	9	6	204	C	C					
43	2	B	97	6	1	151	9	7	205	C	D					
44	2	C	98	6	2	152	9	8	206	C	E					
45	2	D	99	6	3	153	9	9	207	C	F					
46	2	E	100	6	4	154	9	A	208	D	0					
47	2	F	101	6	5	155	9	B	209	D	1					
48	3	0	102	6	6	156	9	C	210	D	2					
49	3	1	103	6	7	157	9	D	211	D	3					
50	3	2	104	6	8	158	9	E	212	D	4					
51	3	3	105	6	9	159	9	F	213	D	5					
52	3	4	106	6	A	160	A	0	214	D	6					
53	3	5	107	6	B	161	A	1	215	D	7					

## 6 LEDS

SmartStix I/O Modules provide diagnostic and status LED indicators.

### a. Diagnostic LED Indicators

Diagnostic LED	State	Meaning
<b>MS</b> (indicates fault status of the Module )	Solid Red	RAM or ROM test failed
	Blinking Red	I/O test failed
	Blinking Green	Module is in power-up state
	Solid Green	Module is running normally
<b>NS</b> (indicates fault status of the Network)	Solid Red	Network Ack or Dup ID test failed
	Blinking Red	Network ID test failed
	Blinking Green	Module is in Life Expectancy default state
	Solid Green	Network is running normally

### b. Status LED Indicators

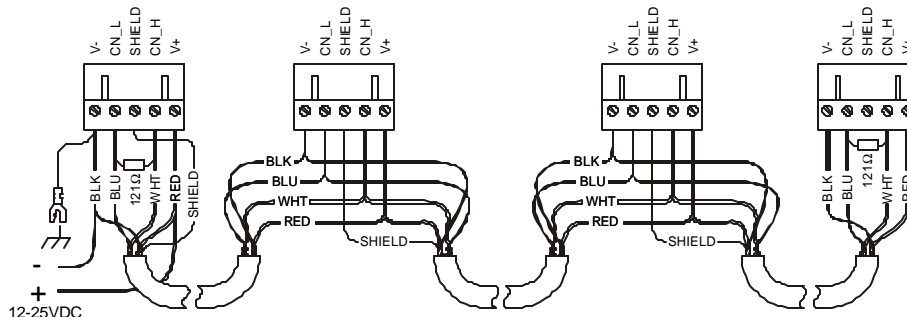
The Power Status LED illuminates Red when power is applied to the module. There are I/O Status LED indicators for each of the Digital I/O points, which illuminate Red when an I/O point is ON.

## 7 NETWORK CABLE

For detailed wiring information, refer to Chapter Two in the **Control Station Hardware Manual** (MAN0227). A handy checklist is provided that covers panel box layout requirements and minimum clearances.

Pin	Description
1	V+
2	CAN_H
3	Shield
4	CAN_L
5	V-

Recommended Cable	
Thick: (Max Distance = 500m)	Belden 3082A
Thin: (Max Distance = 100m)	Belden 3084A



CAN Wiring

**Note:** 12 - 24VDC must be supplied to the network.

## 8 INSTALLATION / SAFETY

- a. All applicable codes and standards need to be followed in the installation of this product.
- b. For I/O wiring (discrete), use the following wire type or equivalent: Belden 9918, 18 AWG or larger.
- c. For detailed installation information, refer to Chapter Two in the Control Station Hardware Manual (MAN0227). A handy checklist is provided that covers panel box layout requirements and minimum clearances.



**Warning:** Consult user documentation.



**Warning:** Electrical Shock Hazard.

## 9 TECHNICAL ASSISTANCE

For assistance, contact Technical Support at the following locations:

### North America:

(317) 916-4274  
[www.heapg.com](http://www.heapg.com)

### Europe:

(+) 353-21-4321-266  
[www.horner-apg.com](http://www.horner-apg.com)